

Coffee System PrecisionBrew, single for vacuum shuttle with stand with UK plug

ITEM # _____

MODEL # _____

NAME # _____

SIS # _____

AIA # _____


600810 (EPBC1VS2UK)

PrecisionBrew Vacuum Shuttle Brewer, for vacuum shuttle, with stand, single - shuttle to be ordered separately - UK plug

Short Form Specification

Item No. _____

Single PrecisionBrew vacuum shuttle brewer, with stand, that brews into 5.7lt vacuum shuttle. Shuttles® sensor prevents brewing when server is not in place. Digitally controlled with PrecisionBrew™ Technology. Advanced touchscreen digital interface simplifies and streamlines brewing and operation.

Delivered with UK plug.

Main Features

- Sensor prevents brewing when shuttle is not in place.
- Machine knows if brew basket is installed.
- Digitally controlled with PrecisionBrew™ Technology.
- Interactive diagnostics through touch display.
- Intuitive, icon-driven touchscreen digital interface simplifies and streamlines brewing and operation.
- Reimagined modern design for PrecisionBrew™: single and double sightglass models brew into 5.7 L vacuum Shuttle(s)®.

Included Accessories

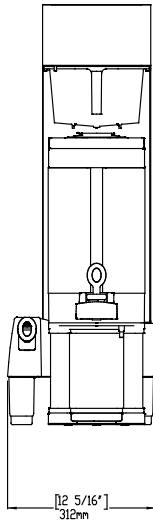
- 1 of Stainless steel coffee brew basket PNC 870059

Optional Accessories

- 5,7 lt Vacuum shuttle with stand used with brewers EPBC1VS2, EPBC1VS2UK, EPBC2VS2, EPBC2VS2UK PNC 600634
- Shuttle graphics for vacuum Precision Brewers used with shuttle VS15 and V15 PNC 870016
- Filter paper, 35,5x15,2 cm (500 pieces per box) PNC 870024
- Plastic coffee brew basket PNC 870040

APPROVAL: _____

Front


Electric

Supply voltage:

600810 (EPBC1VS2UK) 230 V/1N ph/50/60 Hz

Electrical power max.:

2.3 kW

Key Information:

External dimensions, Width: 232 mm

External dimensions, Depth: 479 mm

External dimensions, Height: 765 mm

Net weight: 18 kg

Shipping weight: 27 kg

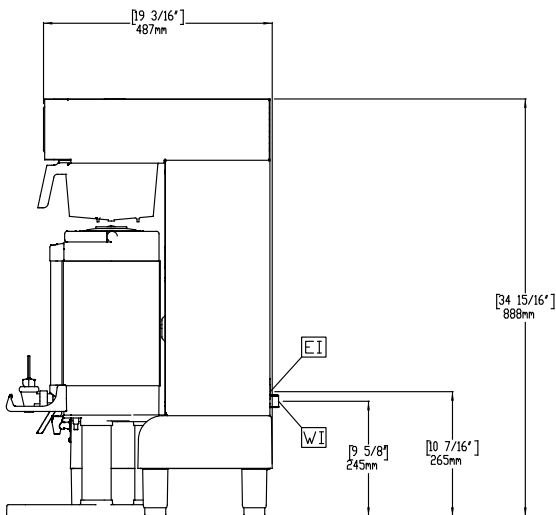
Shipping height: 911 mm

Shipping width: 435 mm

Shipping depth: 654 mm

 Shipping volume: 0.26 m³

Side



Top

